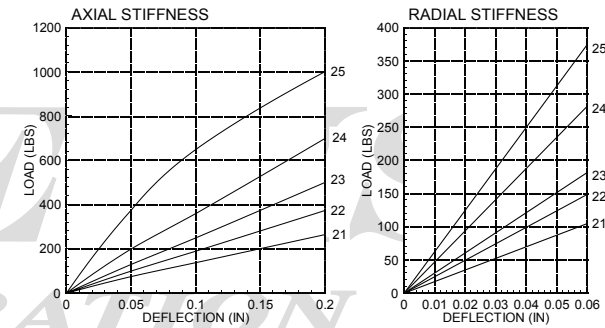
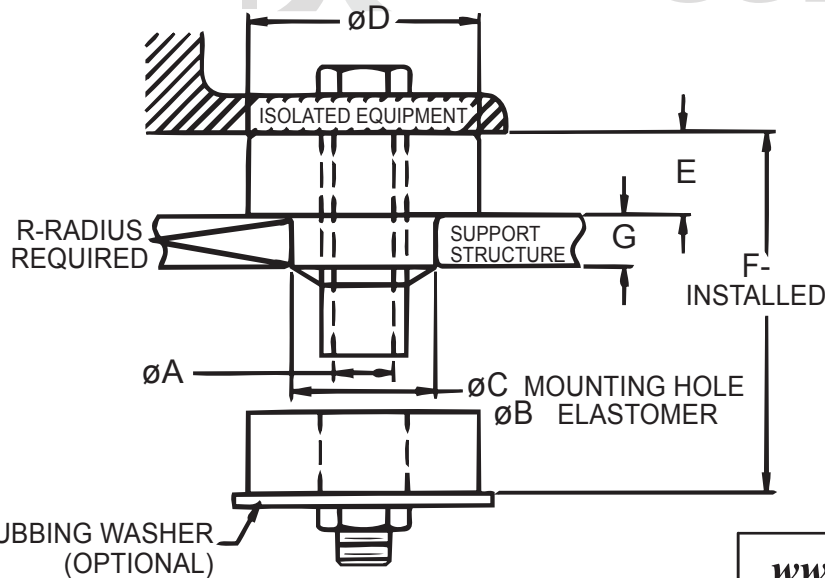


Part No.	A	B	C	D	E	F	G		R
							Thin Support	Thick Support	
60011 thru 15	0.39	0.78	0.75	1.25	0.50	1.25	0.37	N/A	0.03
60021 thru 25	0.53	1.31	1.25	1.87	0.78	1.94	0.50	0.56	0.06
60031 thru 35	0.64	1.55	1.50	2.53	0.90	2.45	0.75	0.88	0.08
60041 thru 45	0.94	2.30	2.25	3.50	1.00	2.88	1.00	1.12	0.12
60051 thru 55	1.06	2.55	2.50	4.88	1.25	3.38	1.00	1.25	0.12

### 60021 thru 25 Series



Curves are for recommended THICK support.  
Consult Tech Products for thin support information



### Static Load Rating (lbs.)

Part No.	Color Code	Thin Support	
		Axial	Radial
60021	Yellow	65	45
60022	Red	125	80
60023	Green	170	125
60024	Blue	275	190
60025	White	390	290

Part No.	Color Code	Thick Support	
		Axial	Radial
60021	Yellow	135	55
60022	Red	180	85
60023	Green	240	130
60024	Blue	380	190
60025	White	630	290

[www.ALLEGISCORP.com](http://www.ALLEGISCORP.com)  
1-866-378-7550

MATERIAL / FINISH :  
Standard Neoprene elastomer

REV. : 1 : 1	DATE : 1-10-2013	DESCRIPTION : Universal Mount	DRAWING NO. : 60021 - 60025
-----------------	---------------------	----------------------------------	--------------------------------